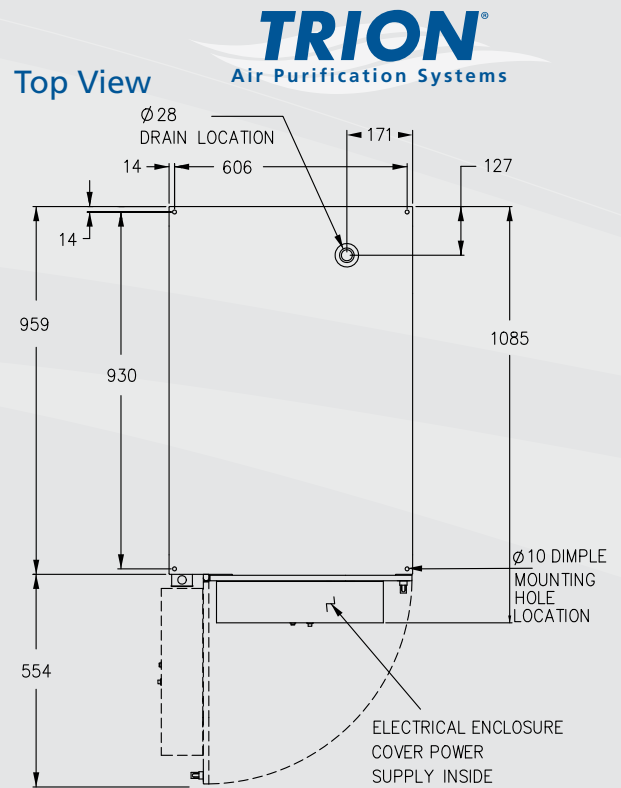


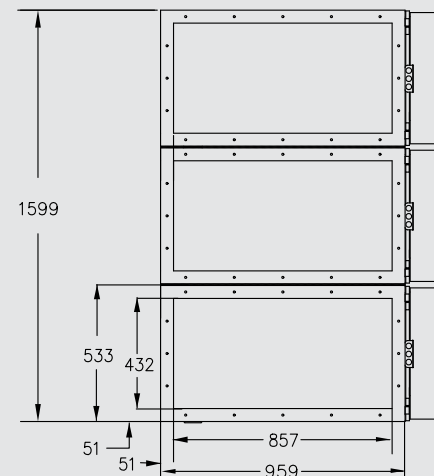
T6002

Air Boss® T-Series

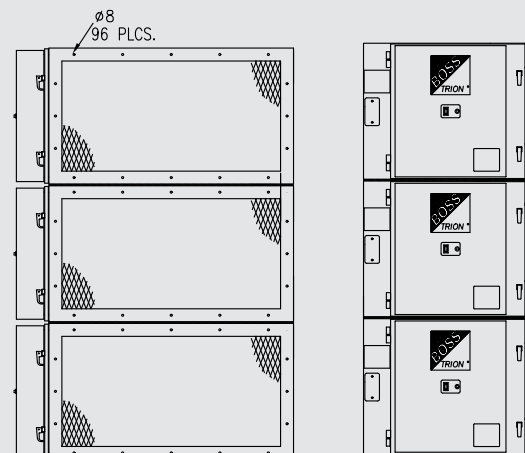


T6002	
Dimensions	635L x 1085W x 1613H mm
Installation	Suspended, Wall or Frame Mounted
Unit Weight	240 kg
Input Voltage	230Vac/1phase/50 Hz
Cell Power	150 watts
Output Voltage	12 kV/6 kV
No of cells	6
Cell Weight	15 kg
Air Volume m³/hr	8840 - 13260 m ³ /hr
Controls	On/Off Switch with Indicator
Pre-filter	Aluminum Standard Mesh (6 Req.) (Optional Impinger)
Primary Filter	Electronic Ioniser/Collector Cell
After Filter	Optional Disposable Charcoal After Filter
Power Supply	High Frequency Solid State Design
Efficiency	To 95% Based on D.O.P. Test Method To 99% for Double Pass (Calculated)
General	Multiple Units Can Be Joined Together for Increased Volume or Efficiency

Discharge End



Front View & Intake End



Trion® a division of Ruskin Air Management Ltd.

The Cavendish Centre | Winnall Close | Winchester | Hampshire, UK. | SO23 0LB
P: +44 1962 840465 | F: +44 1962 828619 | www.trioninc.com | TrionEMEAService@airsysco.com