

# T4002

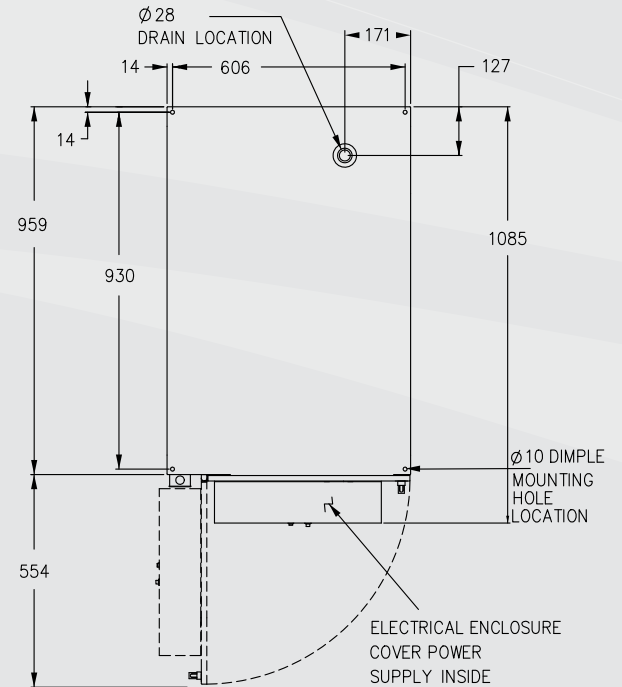
## Air Boss® T-Series



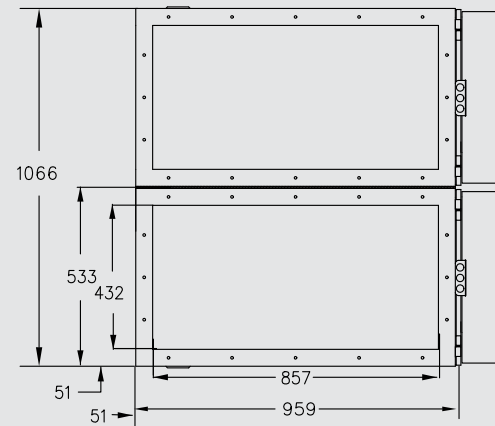
| T4002                 |   |
|-----------------------|---|
| <b>Dimensions</b>     | 635L x 1085W x 1073H mm   |
| <b>Installation</b>   | Free Standing, Wall or Frame Mounted  |
| <b>Unit Weight</b>    | 160 kg  |
| <b>Input Voltage</b>  | 230Vac/1phase/50 Hz   |
| <b>Cell Power</b>     | 100 watts   |
| <b>Output Voltage</b> | 12 kV/6 kV  |
| <b>No of cells</b>    | 4   |
| <b>Cell Weight</b>    | 15 kg   |
| <b>Air Volume</b>     | 4420 - 8840 m <sup>3</sup> /hr  |
| <b>Controls</b>       | On/Off Switch with Indicator  |
| <b>Pre-filter</b>     | Aluminum Standard Mesh<br>(Optional Impinger)                               |
| <b>Primary Filter</b> | Electronic Ioniser/Collector Cell   |
| <b>After Filter</b>   | Optional Disposable Charcoal After Filter                                   |
| <b>Power Supply</b>   | High Frequency Solid State Design   |
| <b>Efficiency</b>     | To 95% Based on D.O.P. Test Method<br>To 99% for Double Pass (Calculated)   |
| <b>General</b>        | Multiple Units Can Be Joined Together for<br>Increased Volume or Efficiency |

**TRION®**  
Air Purification Systems

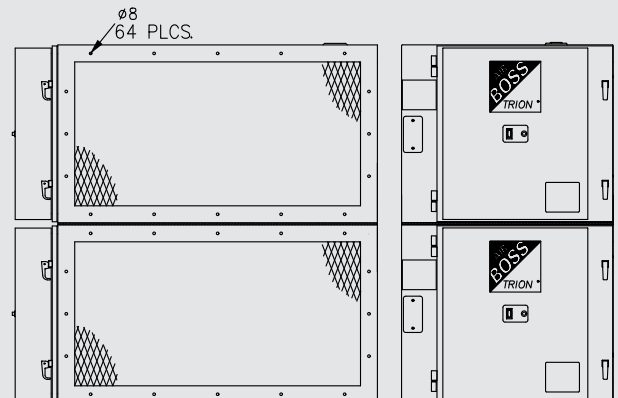
### Top View



### Discharge End



### Front View & Intake End



Trion® a division of Ruskin Air Management Ltd.

The Cavendish Centre | Winnall Close | Winchester | Hampshire, UK. | SO23 0LB  
P: +44 1962 840465 | F: +44 1962 828619 | www.trioninc.com | TrionEMEAService@airsysco.com